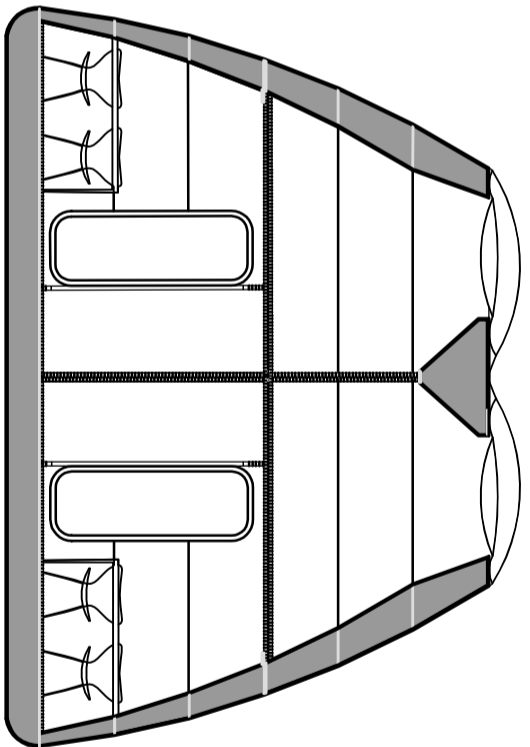
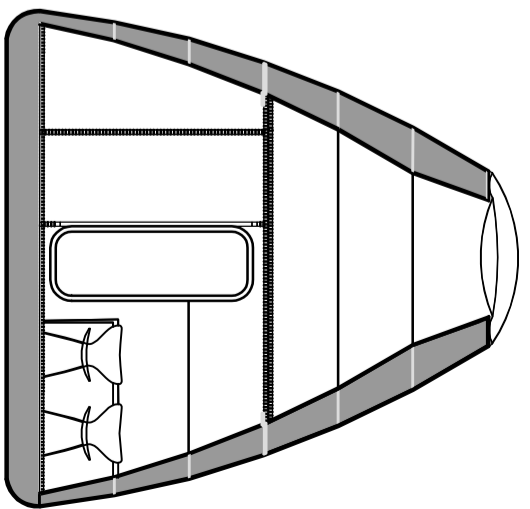


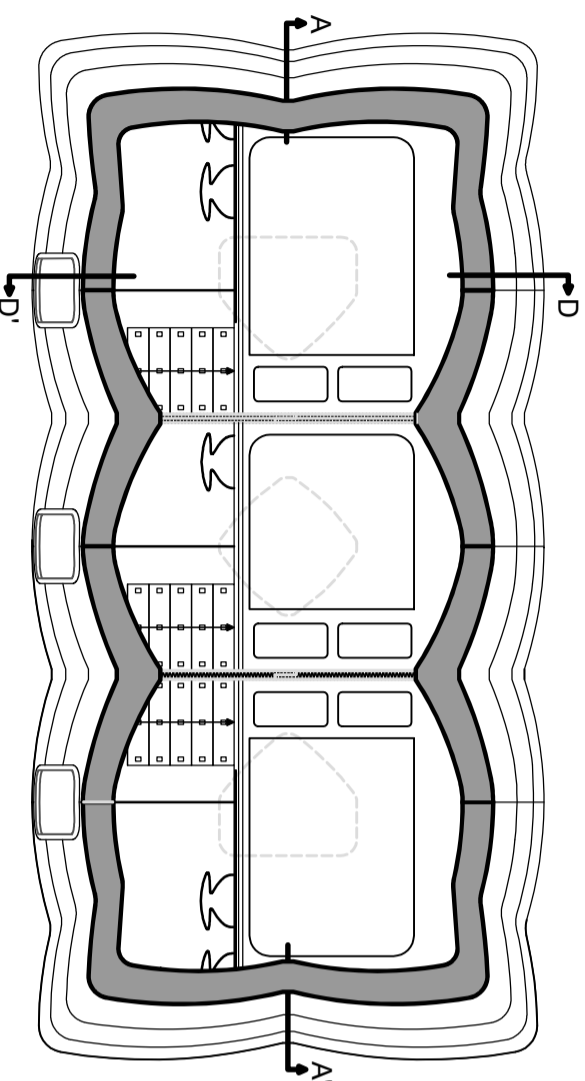
Longitudinal Section A-A'



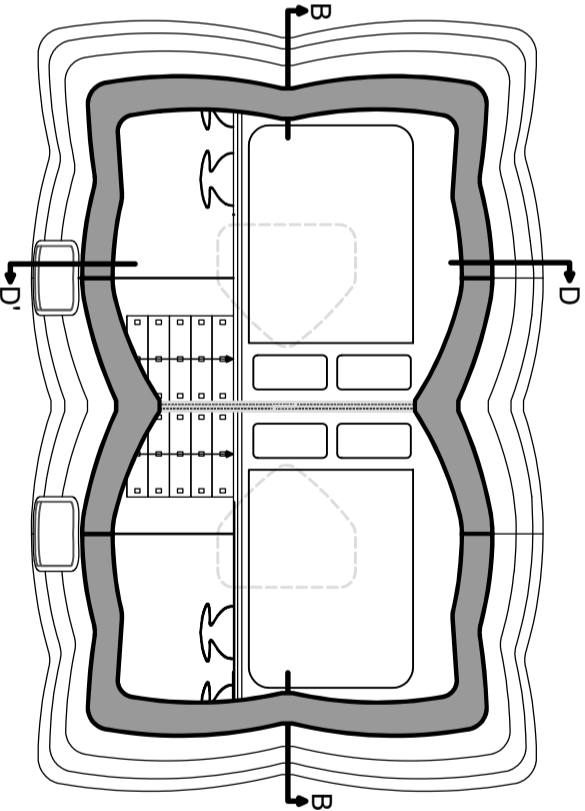
Longitudinal Section B-B'



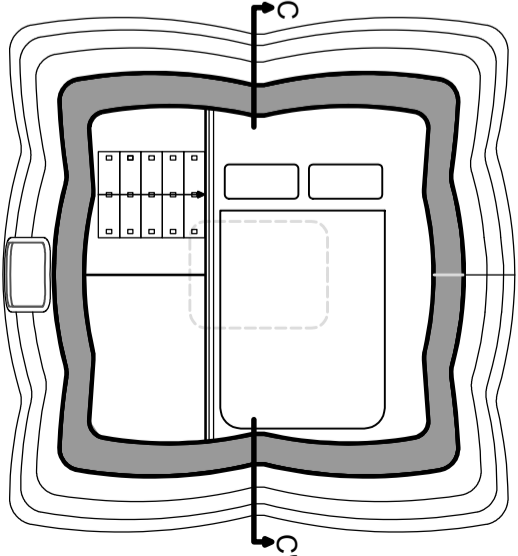
Longitudinal Section C-C'



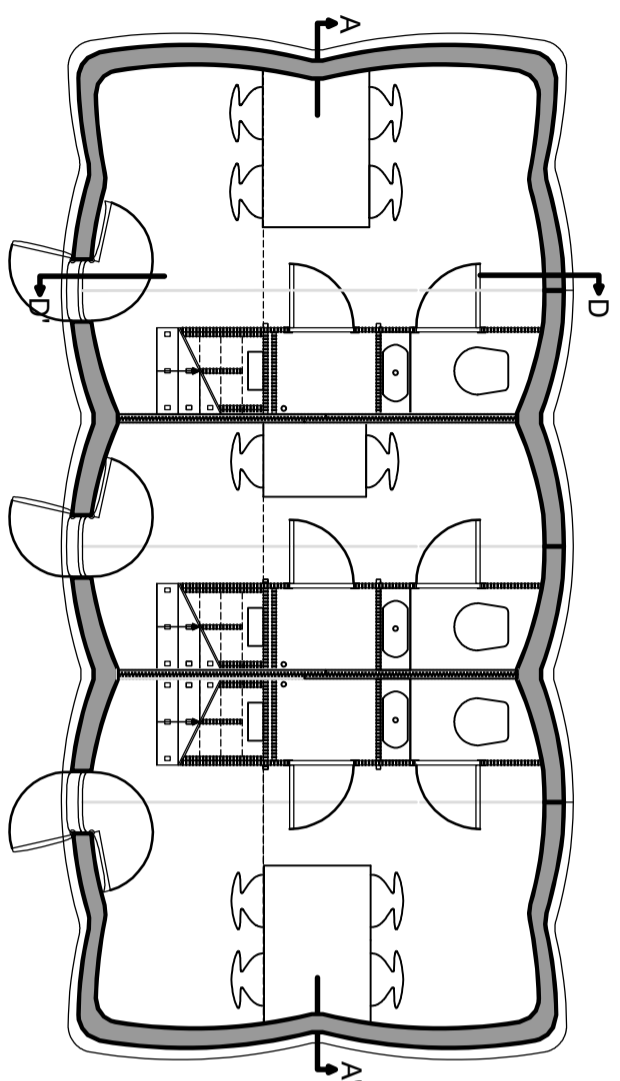
First Level



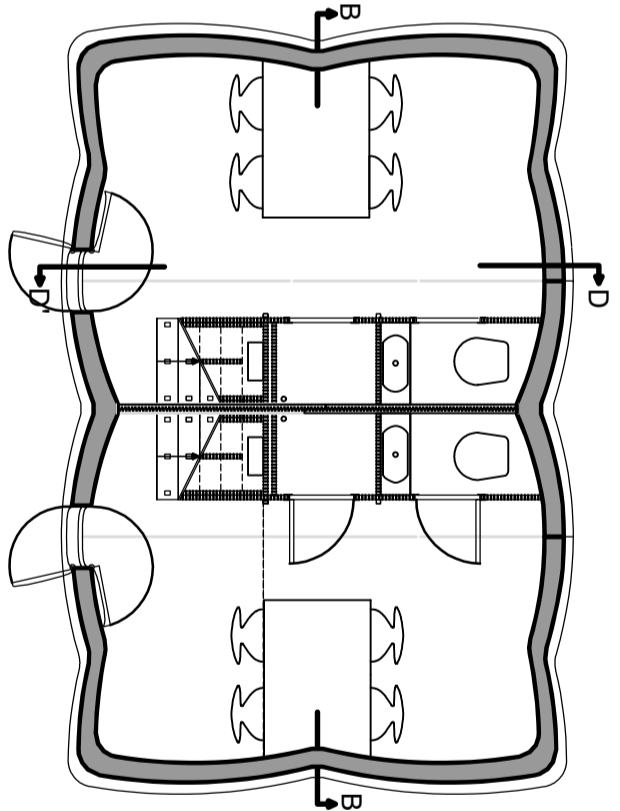
First Level



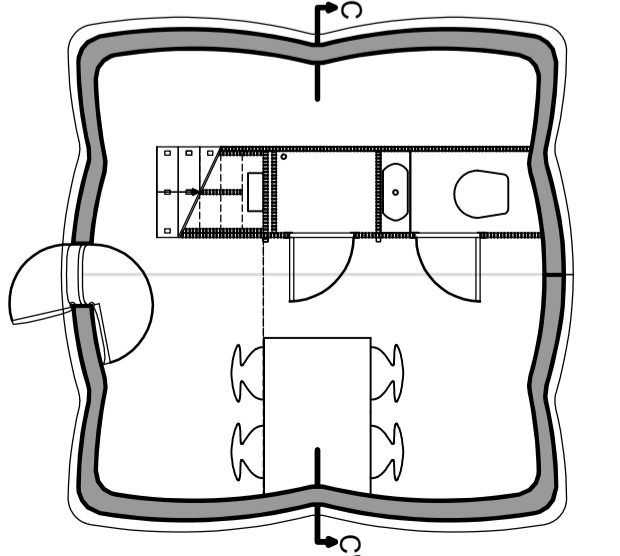
First Level



Ground Level



Ground Level



Ground Level